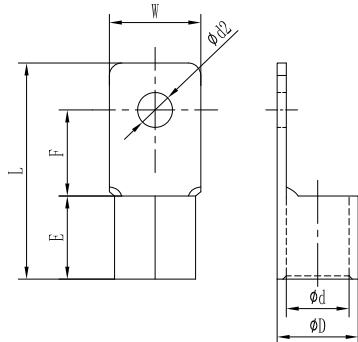


RCCN 日成CB型窄头裸端子 CB type narrow head bare terminal



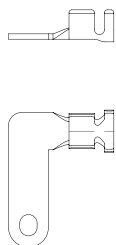
说明：本系列配套工具 YIT-8
Note: installed by crimp tool YIT-8



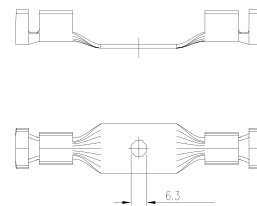
型号 Item No.	尺寸 DIMENSION							
	AWG mm ² 电流	螺栓口直径 Dia. of bolt D2	W mm	L mm	F mm	E mm	Dφ mm	dφ mm
CB22-5	4	5.3mm	12.5	33.0	14.2			
CB22-6	16~25	6.4mm	12.5	33.0	14.2	12.0	11.6	8.2
CB22-8	115A	8.4mm	12.5	33.0	14.2			
CB38-5	2	5.3mm	13.0	37.0	16.2			
CB38-6	35~50	6.4mm	13.0	37.0	16.2	14.0	13.3	9.4
CB38-8	160A	8.4mm	13.0	37.0	16.2			
CB60-8	(1/10)50~70	8.4mm	16.0	47.0	20.7			
CB60-10	215A	10.5mm	16.0	47.0	20.7	18.0	15.4	12.0
CB70-8	(2/0)70~95	8.4mm	19.5	49.0	20.0			
CB70-10	235A	10.5mm	19.5	49.0	20.0	19.0	17.5	13.5
CB80-8	1/0	8.4mm	22.0	52.0	20.7			
CB80-10	95~120	10.5mm	22.0	52.0	20.7	20.0	19.5	15.0
CB80-12	160A	13.0mm	22.0	52.0	20.7			
CB100-8	4/0	8.4mm	22.0	53.5	20.3			
CB100-10	120~150	10.5mm	22.0	53.5	20.3	21.0	22.5	17.0
CB100-12	300A	13.0mm	22.0	53.5	20.3			
CB150-8	250/300	8.4mm	28.0	63.3	22.0			
CB150-10	150~185	10.5mm	28.0	63.3	22.0	27.0	27.0	20.0
CB150-12	395A	13.0mm	28.0	63.3	22.0			
CB180-10	(300/350) 185~240 440A	10.0mm	29.3	66.0	21.2	28.5	28.6	21.0
CB180-12	(400/500) 240~300 470A	13.0mm	29.3	66.0	21.2			
CB200-10		10.5mm	33.3	73.0	24.3	32.0	32.6	24.0
CB200-12		13.0mm	33.3	73.0	24.3			

RCCN 日成R型异形裸端子 R-shaped bare terminal

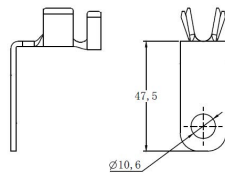
R-00-01



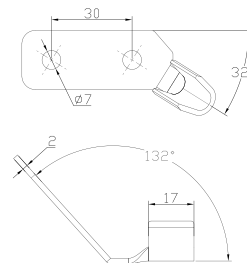
R-00-04



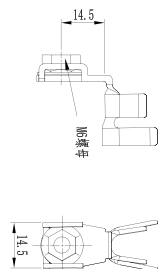
R-00-02



R-00-05



R-00-03



备注：支持订制，可根据要求进行产品开发。

型号 Item No.	导线截面 Insulated square mm ²	孔径 aperture mm	材质 material	表面处理 surface treatment	材料厚度 material thickness mm
R-00-01	15-20	6.5	H65	亮锡	2.0
R-00-02	40-45	10.6	H96	亮锡	2.2
R-00-03	20	M6	H68	亮锡	1.8
R-00-04	20	6.3	H68	亮锡	1.5
R-00-05	20-25	7.0x2	H68	亮锡	2.0

